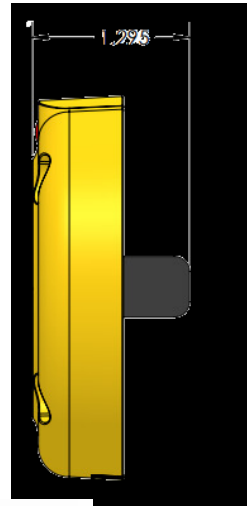


The (95\$ 02% :DYH is a non-contact push button digitally controlled using an active infrared sensor which is extremely robust and works in all weather conditions including rain and snow. Made from solid aluminum stock, this button is vandal and impact resistant.



With a wave of the hand 1-6" from the sensor, a momentary LED indication and audible tone (dee-dah) are activated with the pedestrian call. The MOAB Wave can be purchased in Latching or Momentary LED modes with a PBIC-24 or PBIL isolator card.

6SHFLILFDWLRØ

Idle Current: 0.0282mA typical

Clock Calibration Current 3mA typical

Operating Voltage DC: 12-36 VDC

Operating Voltage AC: 12-24 VAC

) HHCEDFN

Visual: LED Super Bright Red (Luminous Intensity: 5000 mcd)

Audible: Dee 3900 Hz – Dah 3600 Hz



4 EVR MOAB Wave Round Yellow Model Shown

Ø 2SHDWØ 0 RGHV

Momentary: LED on for 0.025 seconds to correspond with audible beep and circuit closure.

Latching: LED activates only during non-walk phases and extinguishes at the beginning of the walk phase.

,VRDWRØG5 HTXLHPHØ

To ensure consistent performance of the Wave sensor over time, the MOAB Wave must periodically calibrate its internal timer. Although its idle current is very low, the current draw during timer calibration is high enough to place a call on most cabinet FT lines. To ensure operation free from false calls, we recommend the MOAB Wave be paired with a PBI-C or PBI-L isolator.



## Operating Specifications

Parameter	Rating
Operating Temperature Range	-34°C to +74°C -30 °F to +165°F
Maximum Volume	80 dB @ 1 meter

## Design Compliance

Test Type	Compliance
Functionality	MUTCD 2009 - 4E
Temperature and Humidity	NEMA TS2
Transient Voltage Protection	NEMA TS2
Mechanical Shock and Vibration	NEMA TS2
MOAB PBS enclosure	NEMA 250 – Type 4X

## Please specify part number:

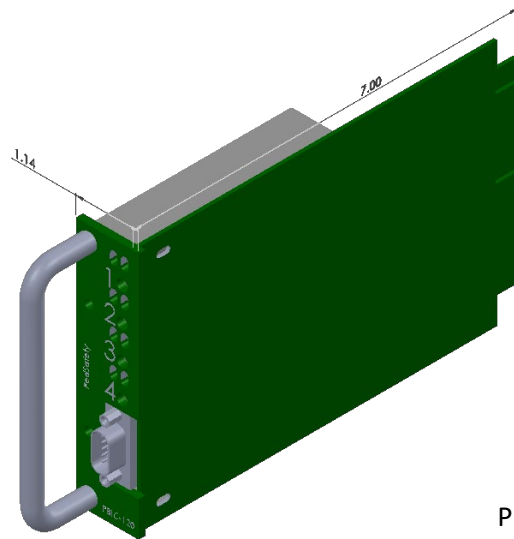
MOAB Wave	502-2080
-----------	----------

## Latching Interfaces:

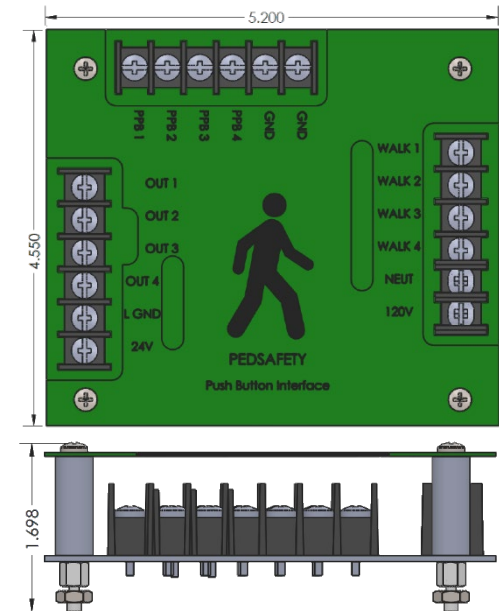
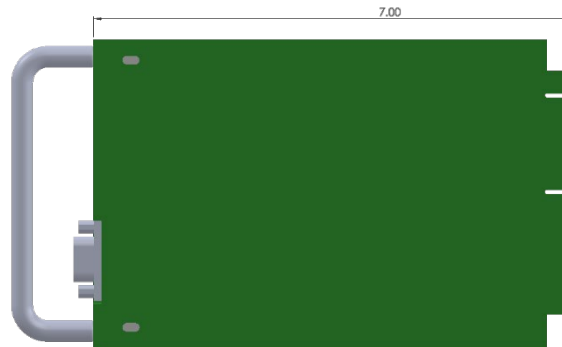
PBI-L (wall mount)	501-0010
PBIC-24 (card rack mount)	501-0005C

## Please specify the following attributes:

1. Color	2. Screw Type
Textured Black	Standard Phillips
Federal Yellow	Pinned Torx (T)
Green	
Unpainted/Natural	



PBIC Isolator



PBI-L Isolator

Notes:

- Applicable sections only of referenced standards
- All specifications are subject to change without notice
- All specifications are typical unless otherwise specified