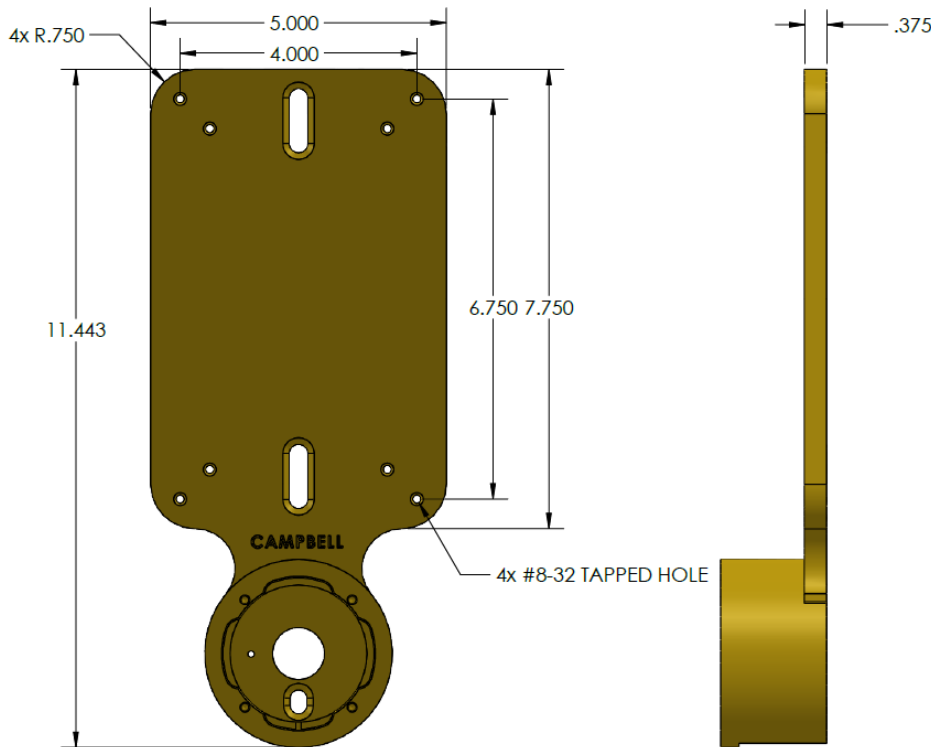




Modular Pedestrian Station



The Modular Pedestrian Station (MPS) allows for flexibility in design and configuration: size, color, button cup, and security hardware options to produce the perfect push button station.

Key Features

- Machined from solid 6061 T6 aluminum the MPS is robust and vandal proof.
- Stainless Steel security hardware available.
- Round or rectangular button cup available for 2 hole or 4 hole mounting patterns.
- Each button cup provides rear service access with removable chase nipple. Bottom plug with weep-hole for additional access available.
- Sign fastens securely to back plate of the station.
- Adjustable aluminum bumpers snug securely to any diameter pole.
- Accommodates accessories that allow the station to be moved closer to the landing, over obstacles, or turned 90 degrees.
- Available in a variety of powder coated finishes: Yellow, Textured Black, Green and Clear Coat.

MPS Geometry

Item Description	4 Hole	2 Hole
MPS 57 4 Hole RND	503-0110	503-0111
MPS 59 4 Hole RND	503-0112	Upon Request
MPS 912 4 Hole RND	503-0114	503-0115
MPS 915 4 Hole RND	503-0116	Upon Request

MPS_RND
MPS_REC

RND mounts to a round PPB
REC mounts to a rectangular PPB