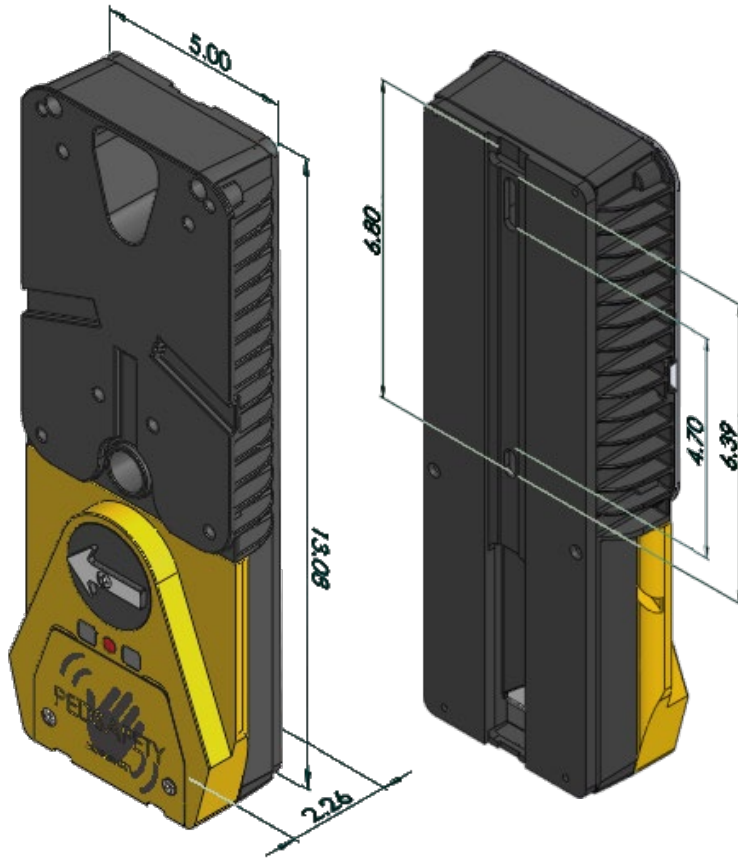




## Guardian™ Independent 4-Wire APS



Guardian™ shown with Wave option

**Guardian™** is an independent 4-Wire Accessible Pedestrian Signal that is ready to install out of the box and does not require any additional equipment in the Traffic Control Cabinet. A four-conductor cable connects the Signal Power Interface (SPI) in the pedestrian signal head to the pedestrian station – now capable of interfacing with touch-safe 48 VDC cabinets. An ADA compliant solid state push button is provided for typical actuation and a touchless actuation option is also available. All sounds emanate from the front and side of the station where the pedestrian is positioned to enter the crosswalk.

**PedSafety's Wave** touchless actuation sensor is superior in extreme weather conditions. Simply waving a hand 1-6" in front of the sensor will place a call for a walk cycle and provide all the essential information and indications required by the MUTCD and TAC.

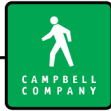
**Bluetooth®** is an optional add-on module that allows the agency to configure the push button settings wirelessly with a Bluetooth® enabled smart device via the **PedConnex™** app.

### Key Features

- PedConnex™ and PedConnex™ Mobile App are downloadable software applications for USB and Bluetooth® interface allowing configuration and customization. (Windows, Android, iOS)
- Secure USB-C Android connection with PedConnex™ mobile App for non-Bluetooth applications
- Compatible with safe touch 48 VDC Cabinets
- Out of the box, on to the pole, pre-programmed, and customized for plug and play installation at the intersection
- Configuration profiles and settings can be saved and downloaded for quick button set-up and recovery in knockdown situations or configured and saved for future deployments
- Quiet Signal Technology (QST™) includes firmware settings for time-of-day functionality combined with port baffles that provide sound directionality – not 360° uncontrolled broadcasting
- Sync Call activation available for Pedestrian Phase
- Clearance Mode: Destination Beacons, Countdown, and Always-On are selectable features
- Pedsafety's Beacon APS speaker is available for Target Beacons applications on large crosswalks
- Automatic Gain Control for ambient and active AGC in the Walk cycle if selected
- Fail safe default reverts to standard push button operation in flash
- Low power consumption is ideal for RRFBs and solar mid-block crossings applications

### Wave Features

- Sensor operates independently from physical push button
- Active Infrared Technology allows for sensitivity and detection range control 1-3", 1-6", & 1"-9"
- Wave sensor is reliable in extreme weather – rain or snow does not affect detection



## Operating Specifications

Parameter	Rating
Operating Temperature Range	-34°C to +74°C -30 °F to +165°F
Operating Force	3.0 lb maximum
MTBF	1,200,000 hrs. (136 years)
Switch Operating Life	Greater than 100 million operations
Maximum Volume	100 dB @ 1 meter

## Design Compliance

Test Type	Compliance
Functionality	MUTCD 2009 - 4E
Temperature and Humidity	NEMA TS2
Transient Voltage Protection	NEMA TS2
Transient Suppression	IEC 61000-4-4, IEC 61000-4-5
Electronic Noise	FCC Title 47, Part 15 Class B
Mechanical Shock and Vibration	NEMA TS2
Guardian PBS enclosure	NEMA 250 – Type 4X
Electrical Reliability	NEMA TS4
Bluetooth® Specification	Bluetooth® SIG member

All certifications performed by certified independent testing laboratories

Notes:

- Applicable sections only of referenced standards
- All specifications are subject to change without notice
- All specifications are typical unless otherwise specified

## Please specify part number:

Guardian w/ 5" x 7.75" sign	501-0811C
Guardian Wave (Push Button) w/ 5" x 7.75" sign	501-0821C

Signal Power Interface (SPI) 120 AC	501-0300
Signal Power Interface (SPI) 48 VDC	501-0303

Bluetooth® Add-on	501-0652
-------------------	----------

## Please specify the following five attributes:

1. Color <sup>1</sup>	2. Screw Type	3. Arrow type
Textured Black	Standard Phillips	Field Selectable (FS)
Federal Yellow	Pinned Torx (T)	Double Arrow (DA)
Gloss Black	Allen Head (Allen)	No Arrow (NA)
Unpainted/Natural		
Other (specify)		

<sup>1</sup>Color applies to faceplate only; thermoplastic back and aluminum backplate are black

4. Sign Legend <sup>2</sup>	5. Sign Film
	Engineering Grade Diamond Grade Decals EG & DG Braille 2

<sup>2</sup>Specify MUTCD sign at time of purchase