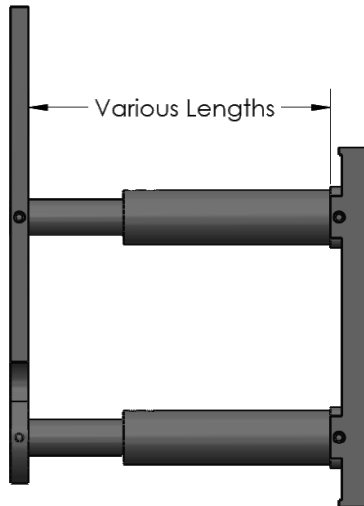
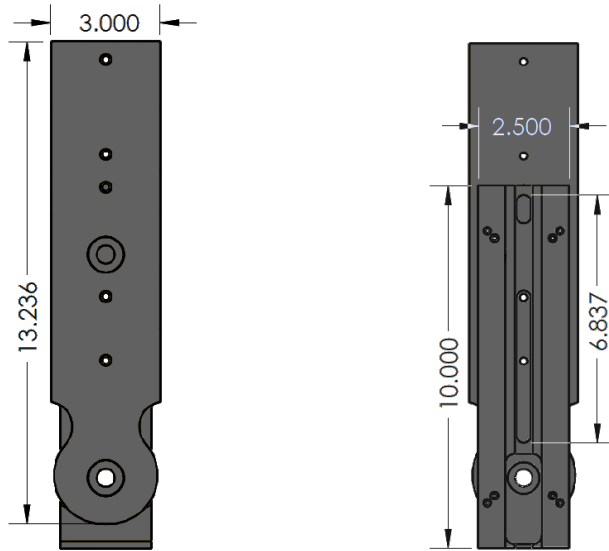




## Universal Extension Bracket



The **Universal Extension Bracket** provides a flexible solution to mounting APS and Modular Push Button stations. Adjustable extension tubes allow for optimal station placement located near the end of the crosswalk such that it meets MUTCD and ADAAG guidelines. Each bracket has adjustable mounting saddles to provide a snug fit to any pole, wire chase for service entry, and all hardware required for mounting. The Universal Extension Bracket allows for mounting of MPS and APS devices and is compatible with most APS devices on the market.

### Key Features

- Adjustable extension tubes allow for exact placement
- Wire chase for service entry
- Adjustable mounting saddles allow easy banding or bolting to any size pole
- Available in three adjustable sizes and one static size
- Machined 6061 T6 aluminum
- Universal mounting options allow for mounting of MPS or APS devices, and is compatible with most manufacturer products on the market

### Please specify part number:

Universal Telescoping Bracket 4-7"	503-0241S
Universal Telescoping Bracket 7-13"	503-0241M
Universal Telescoping Bracket 13-24"	503-0241L
GW Extension Bracket 2.5"	503-0201-2

### Colors:

Wrinkle Black
Unpainted/Natural