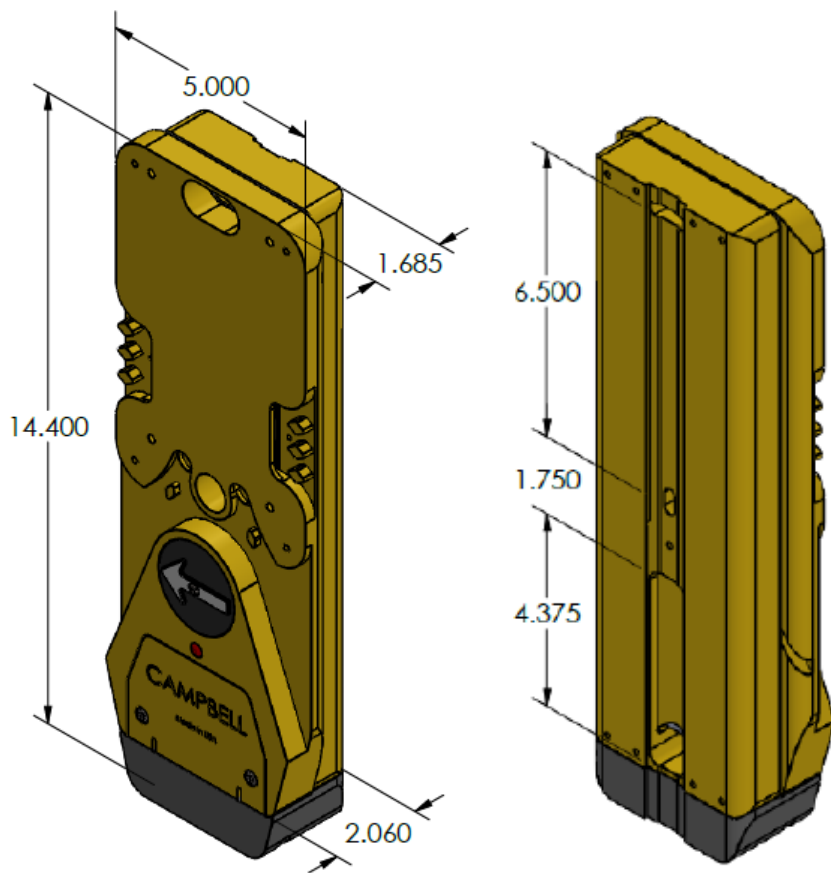




Guardian – Independent 4-Wire APS



Guardian with Bluetooth® shown

The Guardian push button station is an independent accessible pedestrian signal. It is ready to install out of the box and does not require any additional equipment in the intersection control cabinet. A four-conductor cable connects the Signal Power Interface (SPI) in the pedestrian signal head to the pedestrian station. The housing is machined from solid 6061 T6 AL and stainless-steel materials is extremely vandal resistant and can withstand severe impact. The Guardian provides essential information via visual and audible indications required by the MUTCD and TAC, making the intersection accessible for all pedestrians. All sounds emanate from the front and side of the station where the pedestrian is positioned to enter the crosswalk. The Guardian comes complete with station body & ADA compliant push button (shown), sign, SPI module, and mounting hardware.

Bluetooth® is an optional add-on module that allows the agency to configure the push button settings wirelessly with a Bluetooth® enabled smart device via the **PedConnex** app¹.

Bump™ NFC w/ Bluetooth® utilizes the Bluetooth® add-on with additional NFC for non-contact actuation functionality. A pedestrian can simulate a button press by placing their NFC enabled smart device near the Guardian Bluetooth module via the **PedCross** app¹. Agencies will enjoy the previously mentioned Bluetooth® benefits.

¹ available for Android™ and iOS®

Key Features

- Out of the box and on to the pole, pre-programmed and customized for true plug and play installation at the intersection
- PedConnex™ and PedConnex™ Bluetooth® are downloadable software applications for USB and Bluetooth® interface allowing configuration and customization. (Windows, Android, iOS)
- Quiet Signal Technology™ includes settings for time of day, day of week functionality, and port baffles that provide sound directionality where and when you want it.
- Configuration profiles can be saved and downloaded for quick button set-up and recovery in knockdown situations
- Fail safe default reverts to standard push button operation in flash
- A variety of display sizes and legends with security hardware provide a customized, secured pedestrian station.
- Low power consumption allows Guardian to work properly with RRFBS and Solar Mid-Block crossings
- Hardware options allow Guardian to be extended and re-oriented to make difficult installations meet MUTCD, AASHTO, and TAC guidelines



Operating Specifications

Parameter	Rating
Operating Temperature Range	-34°C to +74°C -30 °F to +165°F
Operating Force	3.0 Maximum
MTFB	1,200,000 hrs. (136 years)
Switch Operating Life	Greater than 100 Million Operations
Maximum Volume	100 dB @ 1 meter

Design Compliance

Test Type	Compliance
Functionality	MUTCD 2009 - 4 E
Temperature and Humidity	NEMA TS2
Transient Voltage Protection	NEMA TS2
Transient Suppression	IEC 61000-4-4, IEC 61000-4-5
Electronic Noise	FCC Title 47, Part 15 Class B
Mechanical Shock and Vibration	NEMA TS2
Guardian PBS enclosure	NEMA 250 – Type 4X
Electrical Reliability	NEMA TS4
Bluetooth® Specification	Bluetooth® SIG member

All certifications performed by certified independent testing laboratories.

Ex. Guardian, Generic Voice Message, 9x15" R10-3E sign DS, Yellow/Black, Std hardware, Braille, Bluetooth

Sample Kit Part Number: **KA G - 1 2 02 1 - 1 B P - BR - BT**

Notes:

1. Applicable sections only of referenced standards
2. All specifications are subject to change without notice
3. All Specification are Typical unless otherwise specified

Guardian

