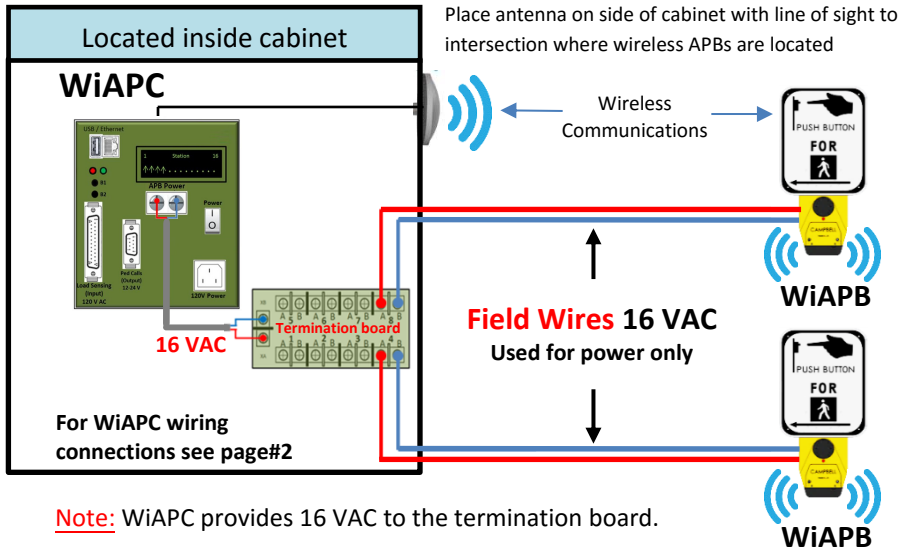




Overview

Using **WiAPC** and **Termination Board** to provide power to WiAPBs

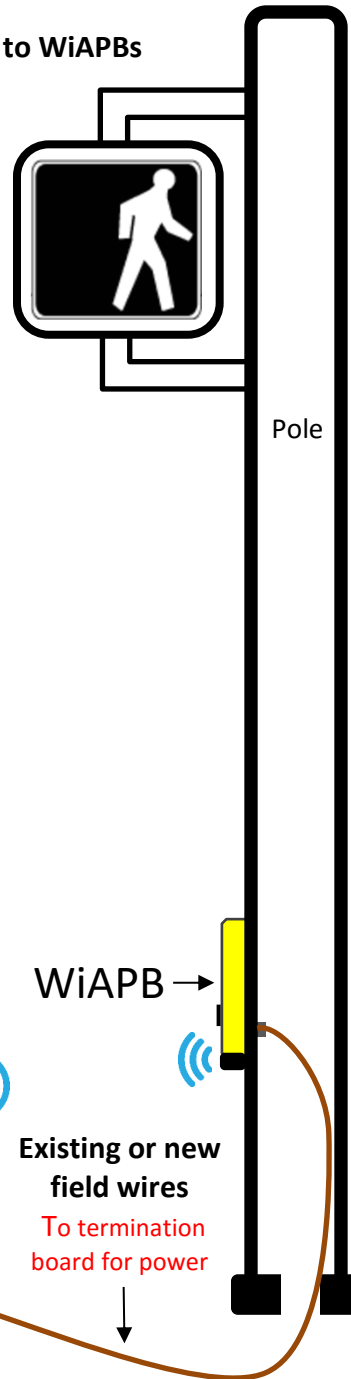
WiAPC/Termination board powers WiAPBs from inside the cabinet



Cabinet

- ✓ WiAPC places calls into the traffic controller.
 - 9-Pin cable needs to be installed from the WiAPC to the terminals of the PED CALLS in the cabinet. (9-Pin cable included)
- ✓ Utilizes the existing or new **Field Wires** from cabinet to pedestrian push buttons. (For power only).
 - Connect the **Field Wires** from the cabinet onto the termination board.
- ✓ **Termination Board:** It is recommended, for troubleshooting purposes to use the "A" terminals for power and "B" terminals as common. Also use termination board slot #1 for WiAPB "1", slot #2 for WiAPB "2", and so on for all the push buttons.

NOTE: For NEW intersection installations, in the absence of city or other local specifications, Campbell Company recommends IMSA 14 Gauge (loop detector wire)



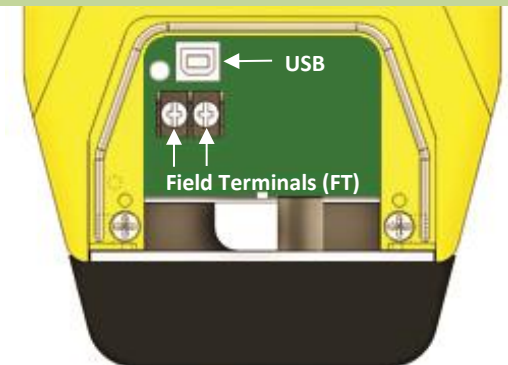
WiAPB

Warranty void if WiAPB is installed upside down



WiAPB Base Station

(Close up view of terminal block in front)

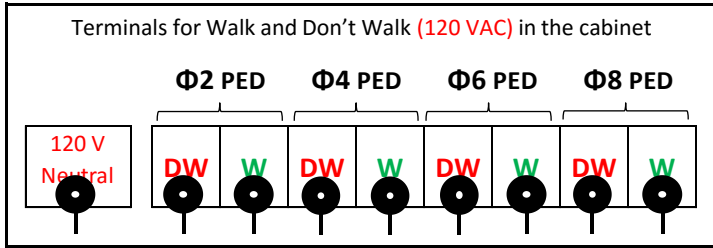


WiAPB wiring connections 16 VAC
Not polarity dependent

Doc # 906-0034 Rev B

WiAAPS Quick Guide

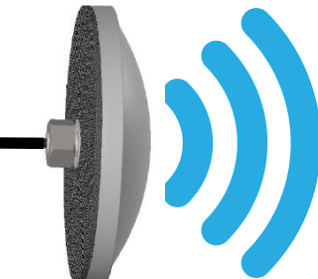
Cabinet wiring



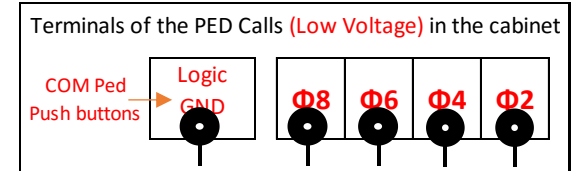
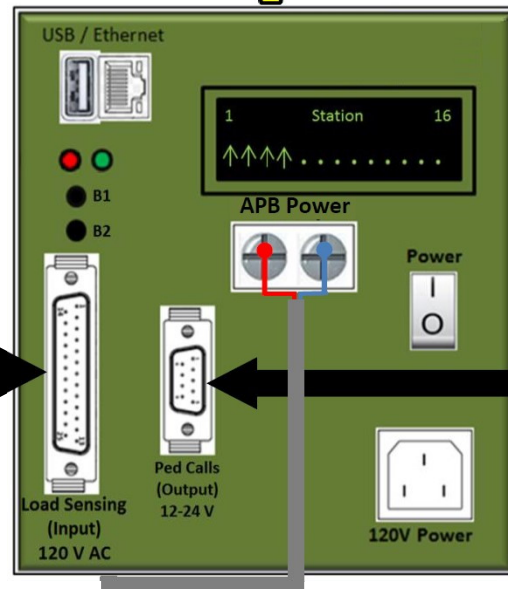
WiAPC

Default IP: 192.168.1.101
 Username: admin
 Password: password

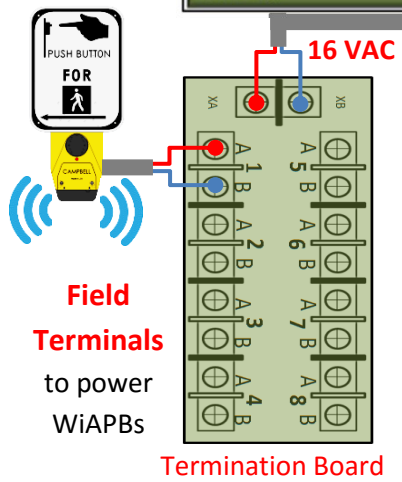
Antenna used for wireless communication



DB25 APC Input Cable (120 Volts)					Φ PED
Label	Pin	Color			
Neutral	1	Blue/White Stripe	White	16 AWG	120 V
	14	White/Black Stripe			
W 8	3	White/Red Stripe		22 AWG	W Φ8
W 7	16	Orange/Black Stripe		22 AWG	W Φ7
W 6	4	Green/Black Stripe		22 AWG	W Φ6
W 5	17	Blue/Black Stripe		22 AWG	W Φ5
W 4	5	Red/Green Stripe		22 AWG	W Φ4
W 3	18	Green		22 AWG	W Φ3
W 2	6	Blue/Red Stripe		22 AWG	W Φ2
W 1	19	Red/White Stripe		22 AWG	W Φ1
DW 8	7	Orange/Red Stripe		22 AWG	DW Φ8
DW 7	20	Red		22 AWG	DW Φ7
DW 6	8	Red/Black Stripe		22 AWG	DW Φ6
DW 5	21	Black/White Stripe		22 AWG	DW Φ5
DW 4	9	White		22 AWG	DW Φ4
DW 3	22	Blue		22 AWG	DW Φ3
DW 2	10	Black		22 AWG	DW Φ2
DW 1	23	Green/White Stripe		22 AWG	DW Φ1



Some cabinets require a Jumper to be installed between the Grounds on the terminals of the ped calls.



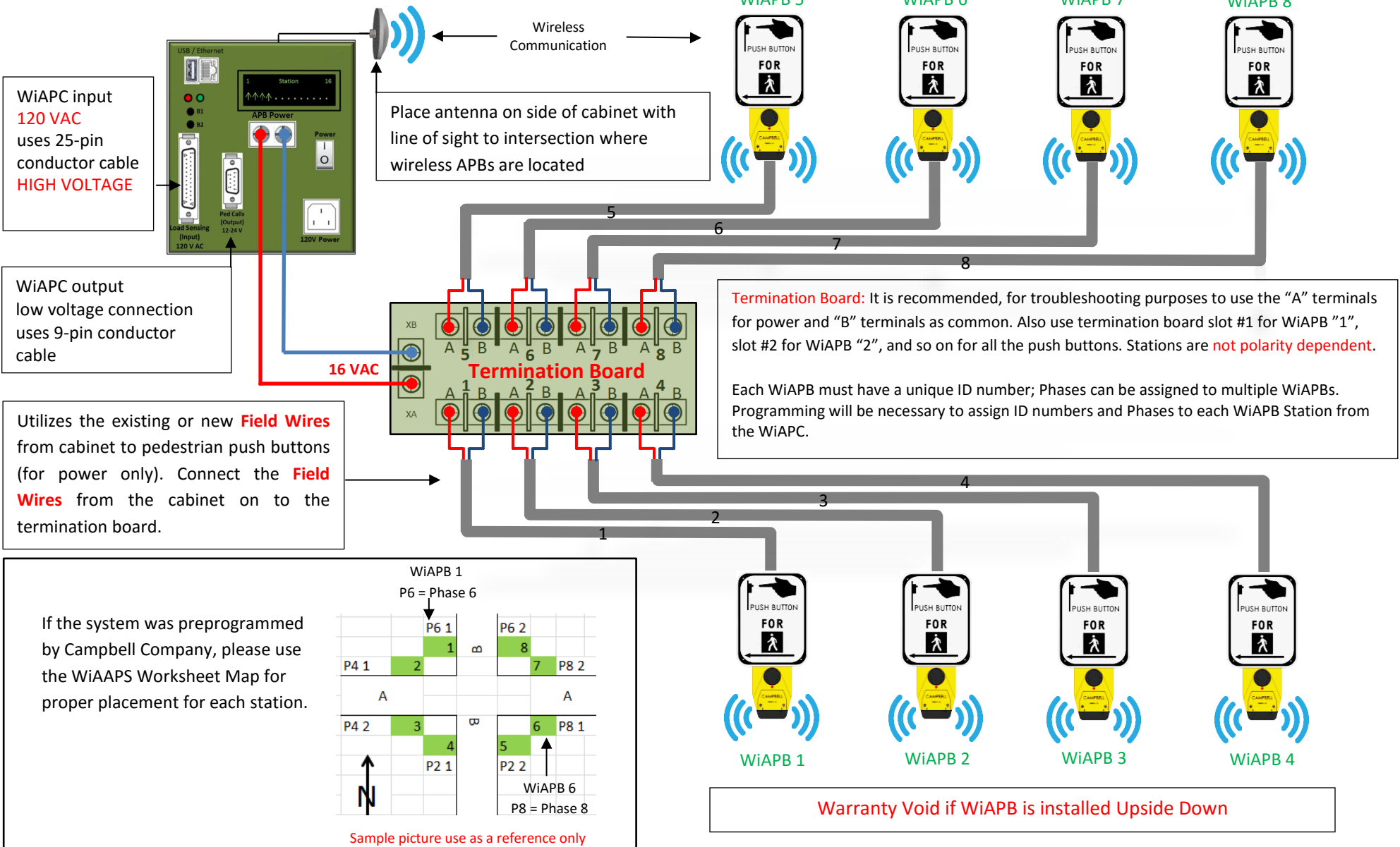
DB9 APC Output Cable					Φ PED CALL
Label	Pin	Color		Alternate Color	
PH1	1	Orange/Black Stripe		Orange	Φ1
PH3	2	Red		Red	Φ3
PH5	3	White		White	Φ5
PH7	4	Black		Black	Φ7
COM	5	Green		Green	COM Ped Push Button
PH2	6	Green/Black Stripe		Brown	Φ2
PH4	7	Red/Black Stripe		Purple	Φ4
PH6	8	White/Black Stripe		Yellow	Φ6
PH8	9	Blue		Blue	Φ8
NA		Orange	NA	Grey	NA

WiAPC

Default IP: 192.168.1.101
 Username: admin
 Password: password

WiAAPS Wiring Guide

Recommended setup



If the system was preprogrammed by Campbell Company, please use the WiAAPS Worksheet Map for proper placement for each station.

WiAPB 1		P6 = Phase 6	
		P6 1	1
P4 1	2	P6 2	8
A		P8 2	7
P4 2	3	P8 1	6
		P2 2	5
	P2 1	4	
		3	
		2	
		1	
			WiAPB 6
			P8 = Phase 8

Sample picture use as a reference only

Warranty Void if WiAPB is installed Upside Down