

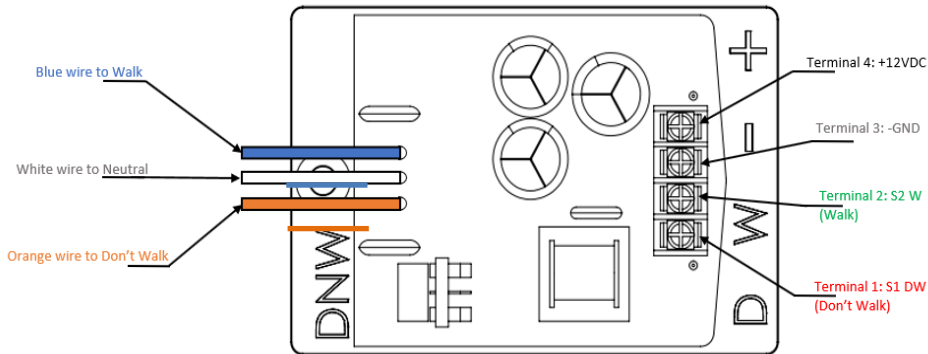


Guardian Mini Wiring Quick Guide

SPI in the Pedestrian Signal Head (Signal Power Interface)

WARNING 120 VAC Inputs

12 VDC Outputs

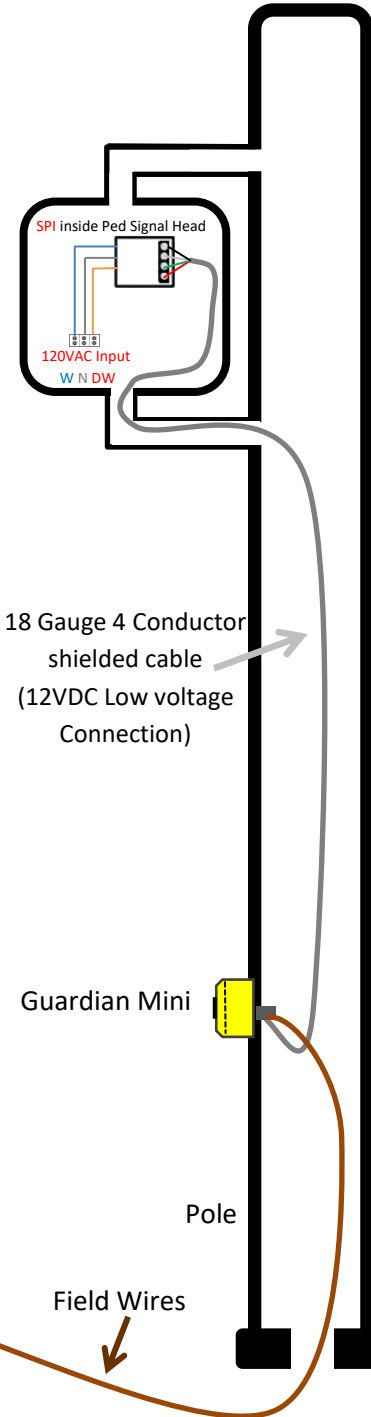


Do NOT set the SPI on the bottom of the Pedestrian Signal Head
Terminals of the SPI must be connected to the same terminals on the Base Station

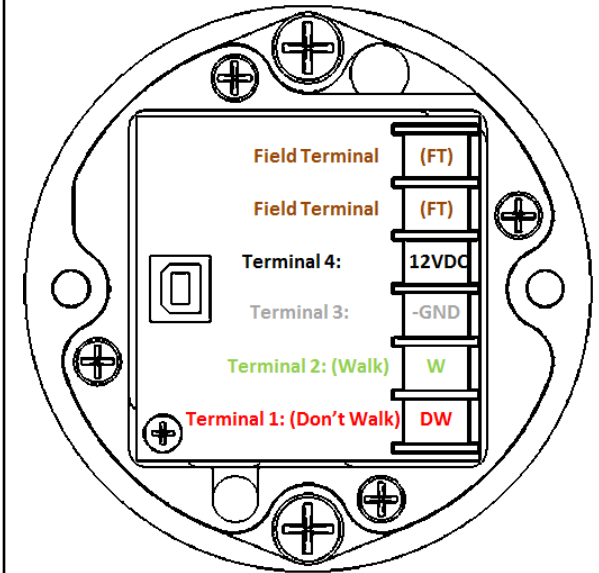
Cabinet

- ✓ Utilizes the existing Field Wires from cabinet to pedestrian push buttons to place calls
- ✓ NOT polarity dependent

NOTE: For NEW intersection installations, in the absence of city or other local specifications, Campbell Company recommends IMSA 14 Gauge (loop detector wire)



AGPS Mini wiring connections (exploded view of terminal block on back)



Guardian Wiring Connections 12 VDC

Document 906-0026 Rev D