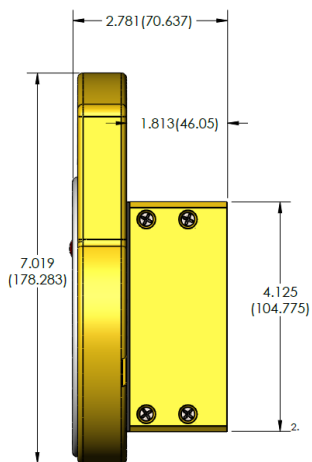
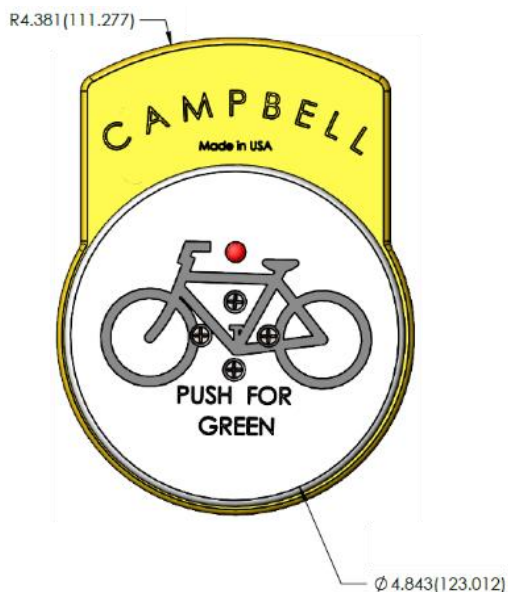
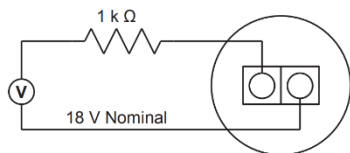




nxtCycle



Suggested Test Circuit
(Momentary Mode Only)



Created specifically for the cyclist, the nxtCycle is a digitally controlled, highly vandal & impact resistant push button for bike paths and bike lanes. The nxtCycle utilizes a Piezo switch element that cannot be stuck in a constant call. An LED and audible tones are momentarily activated with the cyclist's press. The top of the bezel doubles as a handle, allowing the cyclist to steady themselves when waiting for a green light, or other crossing indication.

Materials

Bezel: Solid 6061T6 Aluminum
 Actuator: Clear Coated 6061-T6 AL
 Hardware: Stainless Steel
 Finish: Powder Coat

Feedback:

Visual: LED Super Bright Red
 Audible: Dee 2300 Hz – Dah 2000 Hz

LED Specifications:

Luminous Intensity: 3000 MCD
 Viewing Angle: 155°

Color: Black, Yellow, Green,
 Natural, Other.

Warranty: 5 year limited

Terminal screws include clamping plates intended for bare wire connections.

Piezo Electric, Solid State Switch

Operating Force: < 3 lbf
 Operating Temp: -40 F to 185 F (-40 C to 85 C)
 Operating Voltage: 12 – 26 VDC, 12 – 17 VAC
 Switch Operating Life: 300 million operations
 On Resistance: < 150 ohms
 Off Current: 15 μ A
 Max Terminal Voltage during Closure: 1.5 V

LED Operating Modes:

Momentary: On for 0.025 seconds to correspond with audible on beep and circuit closure.

Latching: LED activates only during non-walk phases and stays on until the beginning of the walk phase. An interface device (PBI-L or PBIC-24) is required.



TEST TYPE	COMPLIANCE
Activation Force	MUTCD 2009 -4E
Temperature & Humidity	NEMA TS2
Transient Voltage Protection	NEMA TS2
Transient Suppression	IEC 61000-4-4, IEC 61000-4-5
Electronic Noise	FCC Title 47, Part 15 Class A
Mechanical Shock & Vibration	NEMA TS2
Ingress of Water	NEMA 250-6P, Rain, Snow, Submersion, etc.
Salt Spray and Corrosion	NEMA 250 -6P
Ingress of Foreign Objects	NEMA 250 -6P
Electrical Reliability	NEMA TS4

