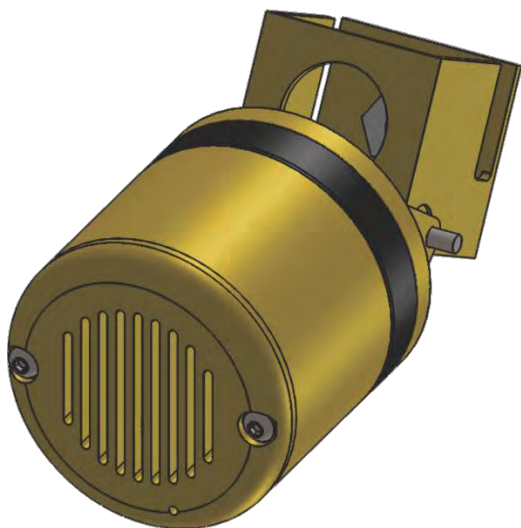
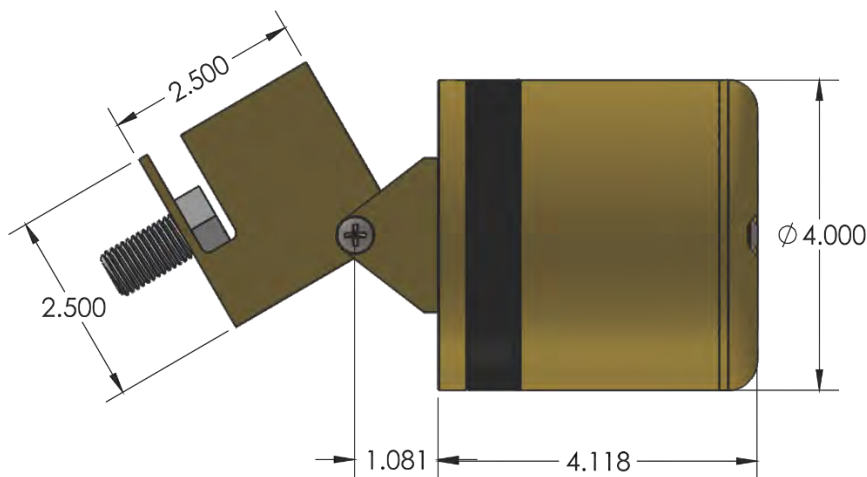




## Beacon Bluetooth® 4-Wire APS



The Beacon APS 4-Wire System can function independently, paired with a pushbutton, or integrated with a Guardian APS unit for advanced broadcast functionality. A four conductor cable connects the Signal Power Interface (SPI) inside the pedestrian signal head to the Beacon speaker allowing it to operate independently. Adding a two conductor field wire from the FT connections at the Guardian to the Beacon allows for APS functionality.

A Signal Power Interface XC (SPI) is required when used in conjunction with a Guardian APS. A Bluetooth® option is available for the convenience of wireless communication with a smart phone or tablet. No bucket trucks required for volume adjustment or firmware updates.

### Key Features

- PedConnex™ and PedConnex™ BT are factory supplied software for USB and Bluetooth® interface allowing station configuration and customization.
- PedConnex™ BT, with the optional Bluetooth® module, operates with Android and iOS password protected applications.
- Broadcast Base Unit (BBU) provides audible indications at timed crossings.
- BBU mounts on the underside of the pedestrian signal display at the pedestrian initiation point into the crosswalk.
- The Beacon may be used in conjunction with any typical pushbutton to provide audible APS indications (without visual LED or haptic feedback).
- Beacon used in conjunction with Guardian provides true beaconing.
- Metro functionality is designed for transit and light rail applications.
- Calendar function volume controls accommodate residential and evening time operating envelopes.
- Pan-Tilt bracket provides sound directionality to the latter two thirds of the crossing.
- Machined from solid 6061 T6 AL and stainless steel material.
- Powder coated available in Yellow, Black, Green, and Neutral.



## Operating Specifications

Parameter	Rating
Operating Temperature Range	-34°C to +74°C
Maximum Volume	100 dB @ 1 meter

## Design Compliance

Test Type	Compliance
Functionality	MUTCD 2009 - 4 E
Temperature and Humidity	NEMA TS2
Transient Voltage Protection	NEMA TS2
Transient Suppression	IEC 61000-4-4, IEC 61000-4-5
Electronic Noise	FCC Title 47, Part 15 Class B
Mechanical Shock and Vibration	NEMA TS2
Beacon Enclosure	NEMA 250 – Type 4X
Electrical Reliability	NEMA TS4
Bluetooth® Specification	Bluetooth® SIG member

All certifications performed by Certified Independent Testing Laboratories.

Notes:

1. Applicable sections only of referenced standards
2. All specifications are subject to change without notice
3. All Specification are Typical unless otherwise specified

PN #	Item Description
501-0211	APS Beacon (includes # 501-0300 SPI)
502-0252	APS BBU (includes #501-0300 SPI)
501-0651	Mini / Beacon Bluetooth® Module
501-0301	SPI XC (required if using Beacon with Guardian or AGPS)

Beacon discounted if purchasing Beacon with Guardian or AGPS in same purchase order & installed together.

Please specify Part Number and following attributes:

1. Color	2. Installation Options
Textured Black	Beacon Mount (FS)
Federal Yellow	BBU Mount
Gloss Black	
Unpainted/ Natural	
Other (specify)*	

## Mounting Options

*Beacon Style Mount*



*BBU Style Mount*

