



# APS Beacon Mounting Instructions

906-0019

Revision B • March 28, 2017

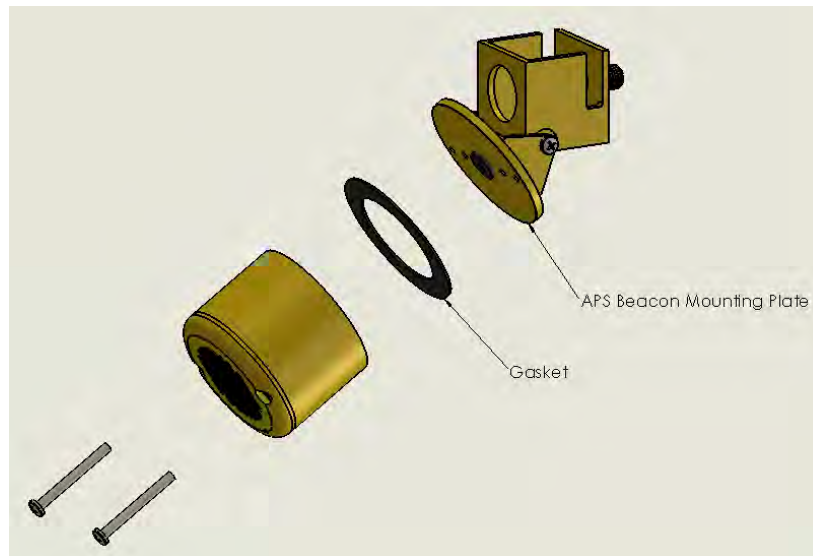
Document Revision History		
Revision	Revised By	Date
A	Tony Wheeler/Josh Meier	4/12/16
B	Josh Meier	3/28/17

---

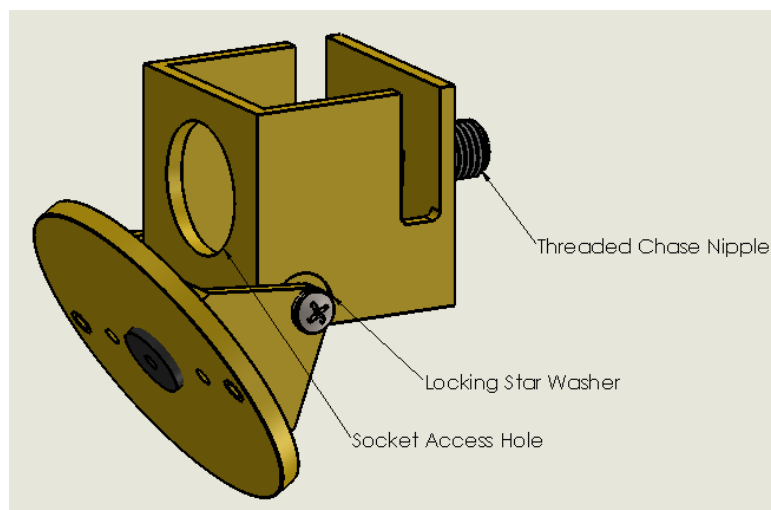
## APS Beacon Mounting Instructions

**Recommendation: Use a 7/8" or 24mm open ended crescent wrench for installation.**

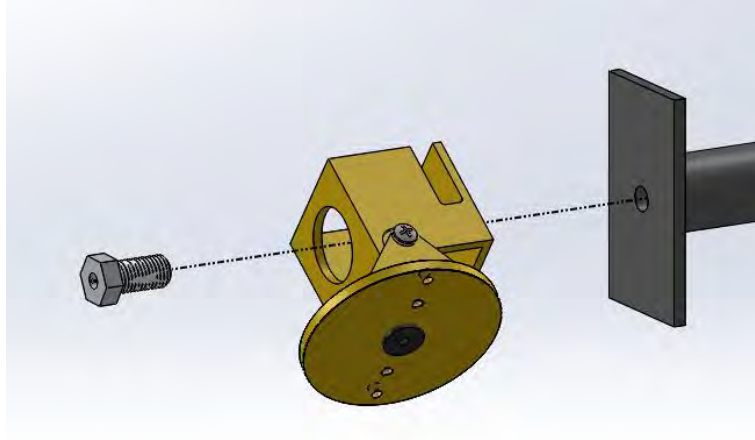
1. Remove power from Ped Head. Run 6c cable from Ped Head to the wire chase hole at Beacon mounting location. Strip 2" of jacket from the cable and ¼" of insulation from the individual wires at this time.
2. Remove Mounting Plate from APS Beacon using the screws accessed from the front of the unit.



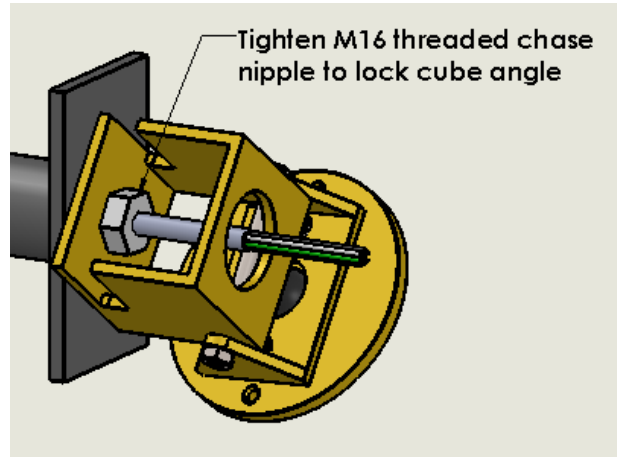
3. Rotate the cube-shaped piece attached to the Mounting Plate so that the large Socket Access Hole in the cube is unobstructed. Insert provided threaded chase nipple through the large hole in the cube and into the small hole on the other side.



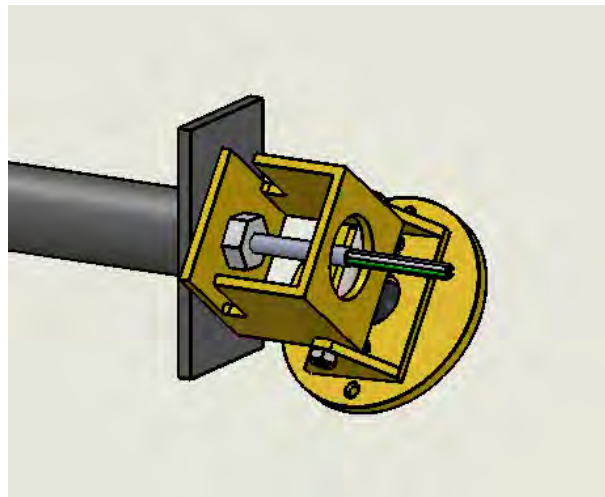
- Run 6c cable from wire chase hole through the threaded chase nipple.



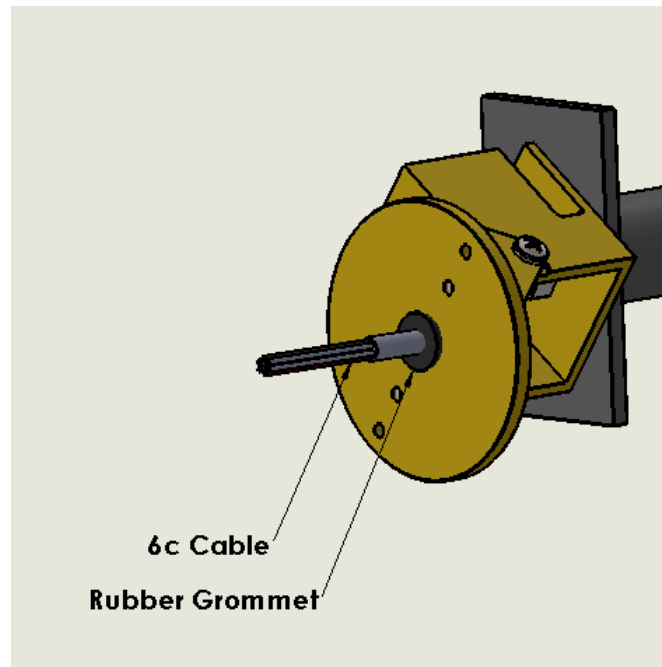
- Rotate the cube to the desired speaker tilt angle, then tighten chase nipple onto the cube through the large access hole using 7/8" or 24mm open ended crescent wrench.



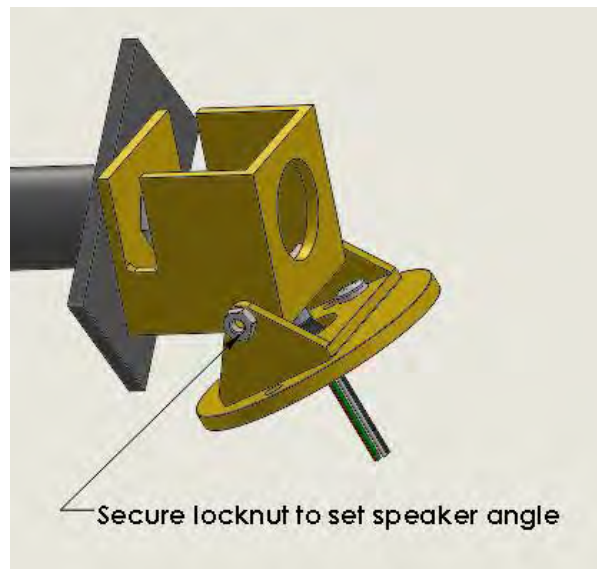
- Pull wire from chase nipple so that approximately 5" protrudes beyond the socket access hole in the cube.



7. Flip Mounting Plate downward so that its center hole sits in front of the open bottom end of the cube. Route the 6c cable out of the open bottom end of the cube and through the rubber grommet in the center of the Mounting Plate



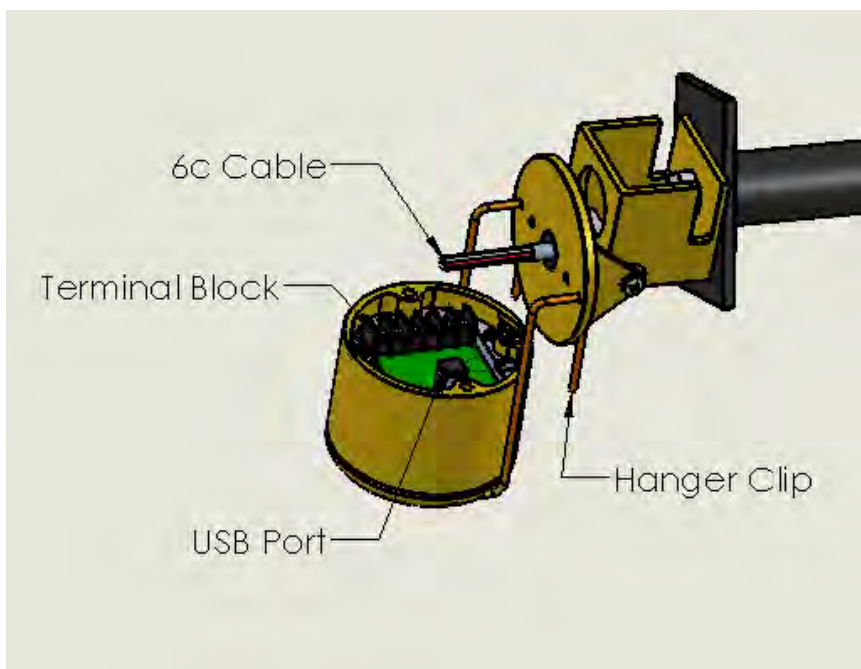
8. Rotate the Mounting Plate to a position that will achieve the desired speaker pan angle. Tighten the screw holding the cube onto the Mounting Plate via the triangle U-Bracket onto the attached locknut to fix the pan angle. Use a 7/16" crescent wrench to hold the lock nut.



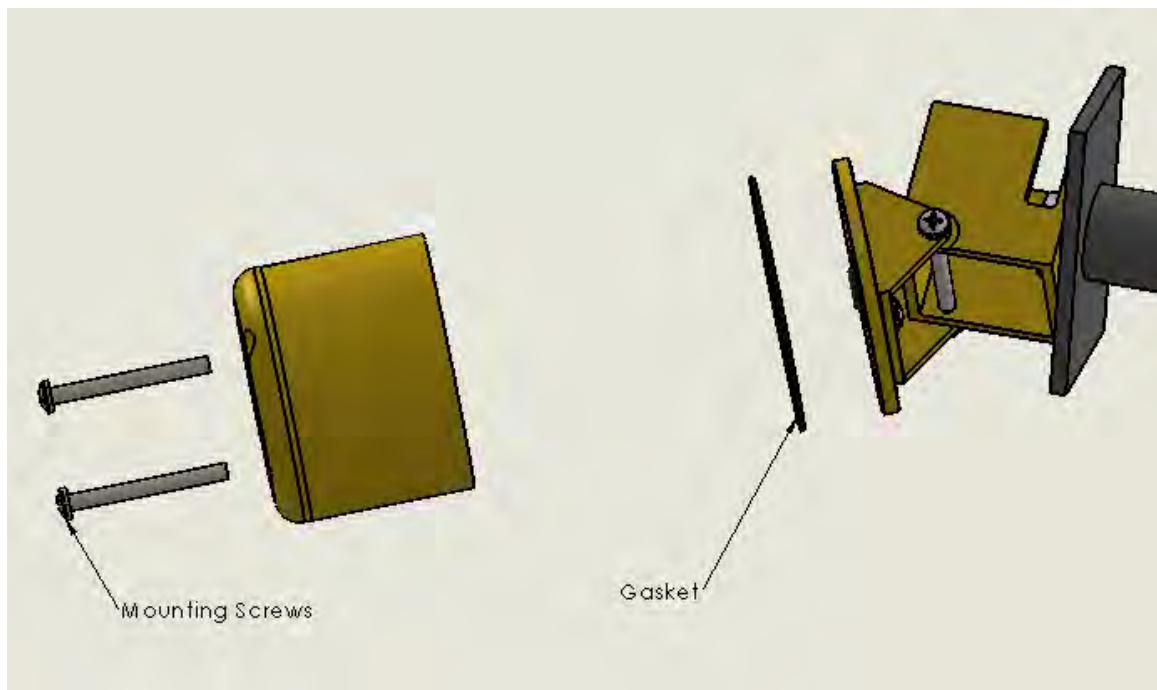
9. Hang the provided Hanger Clips from the tapped holes in the Mounting Plate. Hang the Beacon unit from the clips via the mounting holes on the front of the Beacon.



10. Connect conductors from 6c cable to the terminal Block on the back of the Beacon. Restore power to the Ped Head to test, and make any necessary configuration changes via the USB Port at this time.



11. Remove Beacon from hanger clips, and remove hanger clips from Mounting Plate. Replace gasket before attaching to Mounting Plate.



12. Mount APS Beacon to Mounting Plate using the provided  $\frac{1}{4}$ -20 x 3-1/4" PHP screws through the two mounting holes on the front of the Beacon and into the threaded holes on the Mounting Plate.

