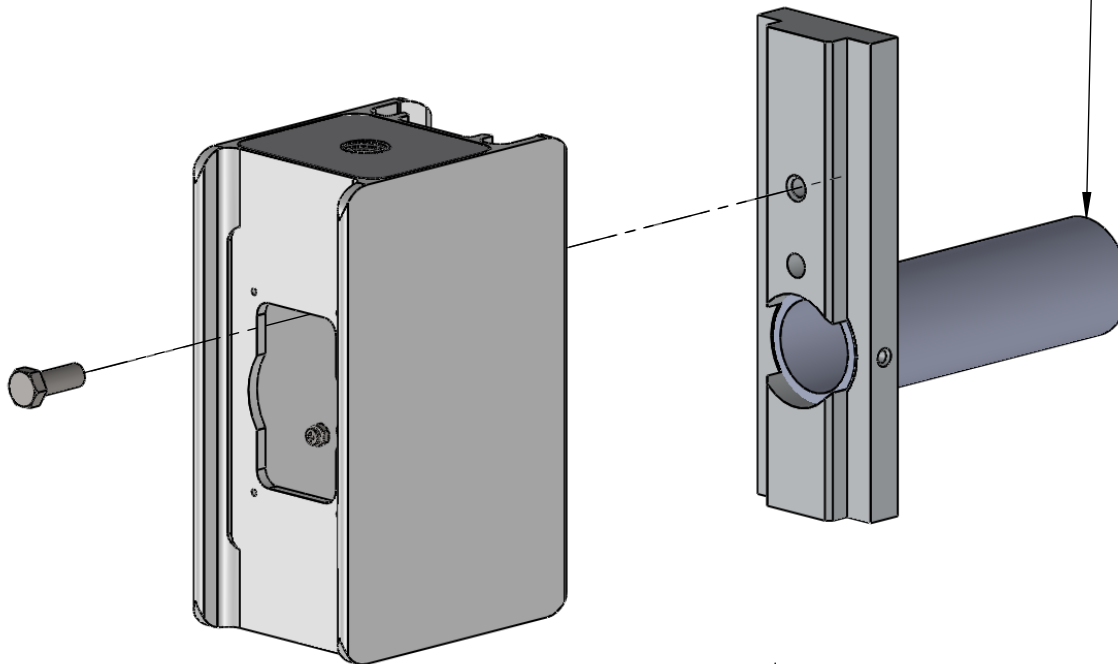


Cut 1½" ID Pipe to desired extension length.
 Fasten to bracket using 1½ NPT (11½ TPI) Pipe Threads



Campbell Company
 450 W. McGregor Phone: (208) 345-7459
 Boise, ID 83705 Fax: (208) 345-7481



	Name	Date	Part #
Drawn	JMEIER	5/21/2015	503-0162
Initiator			

Part Name
H Frame Extension Bracket