



# Guardian Mini Wiring Quick Guide

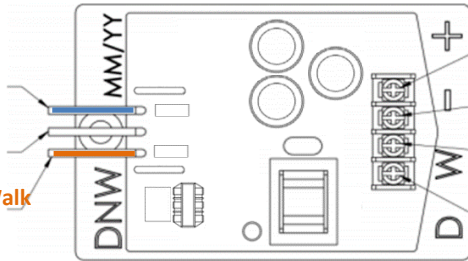
## SPI in the Pedestrian Signal Head (Signal Power Interface)

### WARNING 120 VAC Inputs

Blue wire to Walk

White wire to Neutral

Orange wire to Don't Walk



### 12 VDC Outputs

Terminal 4: +12VDC

Terminal 3: -GND

Terminal 2: S2 W (Walk)

Terminal 1: S1 DW (Don't Walk)

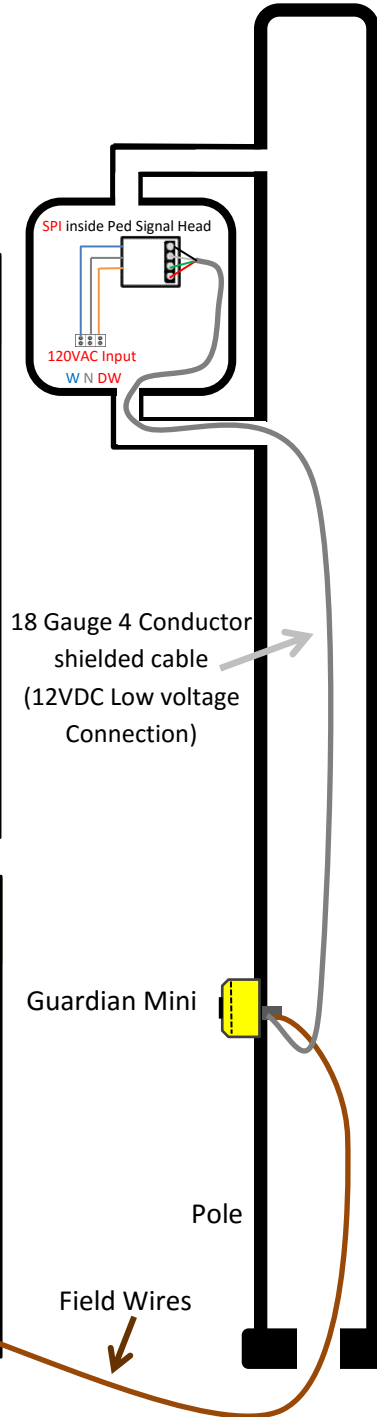
**Do NOT set the SPI** on the bottom of the Pedestrian Signal Head

Terminals of the SPI must be connected to the same terminals on the Base Station

## Cabinet

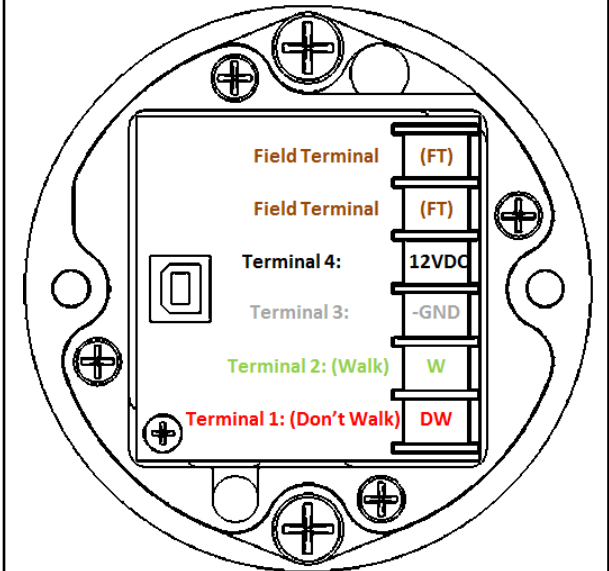
- ✓ Utilizes the existing Field Wires from cabinet to pedestrian push buttons to place calls
- ✓ NOT polarity dependent

NOTE: For NEW intersection installations, in the absence of city or other local specifications, Campbell Company recommends IMSA 14 Gauge (loop detector wire)



## AGPS Mini wiring connections

(exploded view of terminal block on back)



### Guardian Wiring Connections 12 VDC

Document 906-0026 Rev C