



4EVR Pushbutton Installation Guide

Installation

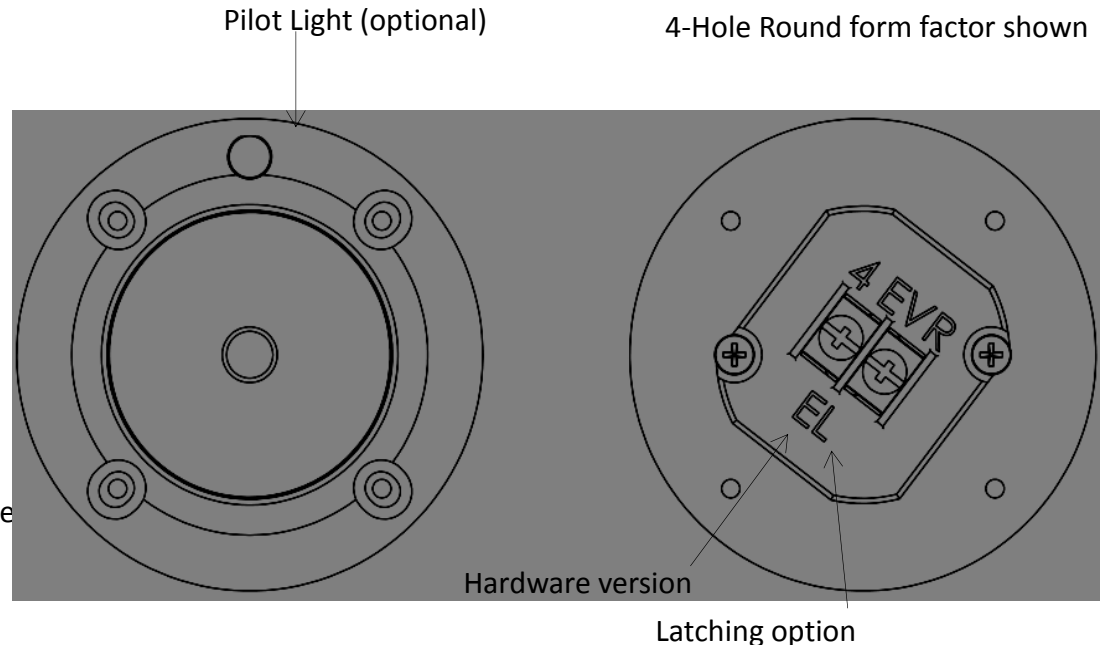
1. Connect the two field wires from the traffic controller cabinet to the two terminals on the back of the pushbutton. It does not matter which wire is connected to which terminal.
2. Mount the pushbutton to its housing or pole with the light at the top of the pushbutton and secure it using the provided hardware.

Configuration

The 4EVR has two modes affecting the operation of the light on the pushbutton, latching and non-latching. In both modes, the pushbutton will produce a De-Da tone when pressed and provide a contact closure. When the 4EVR is in momentary mode, it will flash it's light briefly to indicate the button was pressed. In latching mode, the 4EVR's light will stay illuminated until the WALK indication is given.

In order to operate in latching mode, a latching interface is required in the traffic cabinet. Please see our website for details on the latching interfaces.

When power is applied to the button, it will play a short tone to identify the operating mode of the light. One long varying beep indicates latching mode. Two short beeps indicate momentary mode. On the D revision of 4EVR pushbutton, the boot up tone is the same in either mode. C and earlier revisions do not play a boot up tone.



For more information visit <http://www.pedsafety.com>
© Campbell Company 2014
906-0017 4EVR Pushbutton Installation Guide Rev B

